

# Edge Curve

Portable Sign Stand



Please consider using 2 people when assembling.

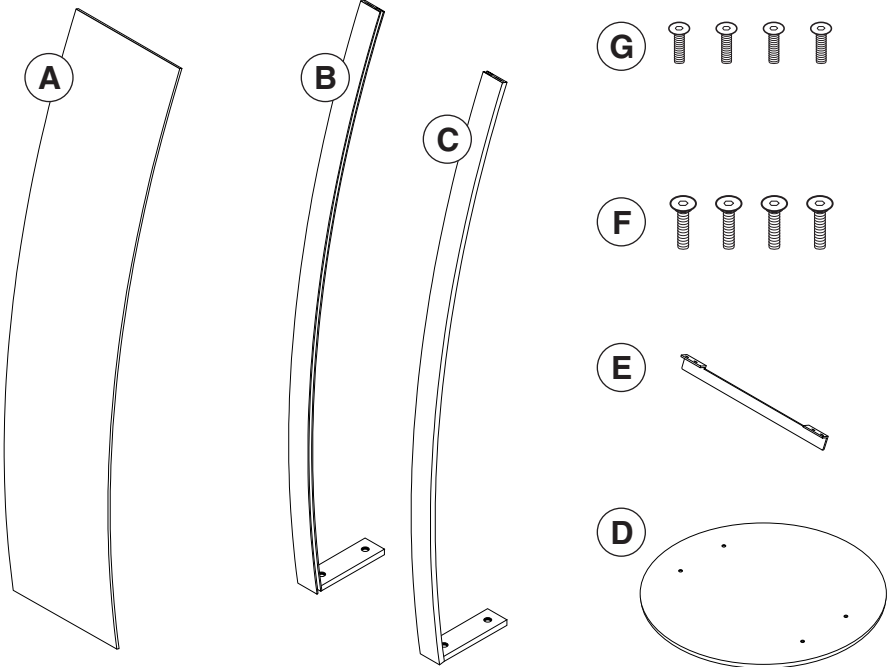
## Tools Needed:

- 1/8" Allen Wrench
- 5/32" Allen Wrench



## Parts:

- A. Graphics Panel (Sold Separately)
- B. Left Side Brace\*
- C. Right Side Brace\*
- D. Base
- E. Top Support
- F. Top Support Bolts (4) - 1/4" - 20 x 7/8"
- G. Base Bolts (4) - 3/4" - 10 x 24



\*Use caution when unwrapping braces to prevent damage.

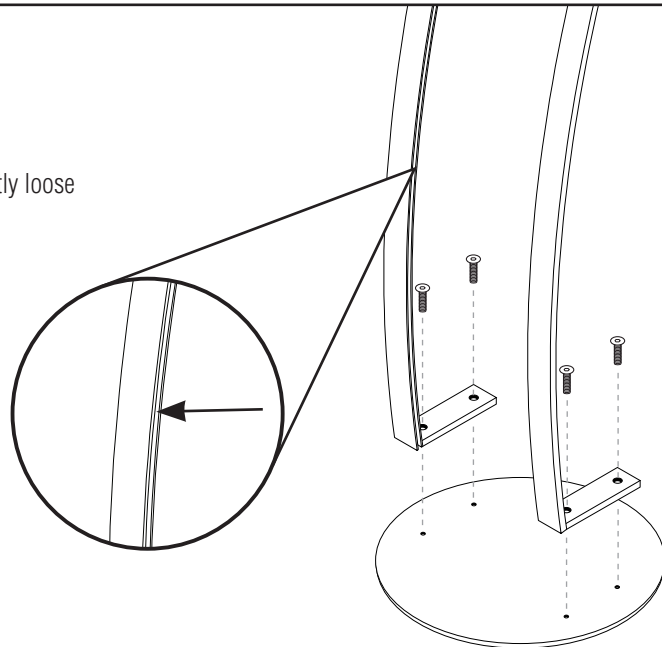
## STEP 1

### Attach Side Braces

Attach left side brace using 1/4" - 20 x 7/8" Hex Bolts. Leave slightly loose to make it easier to insert graphic.

Repeat for right side brace.

Side brace grooves should be facing inwards.

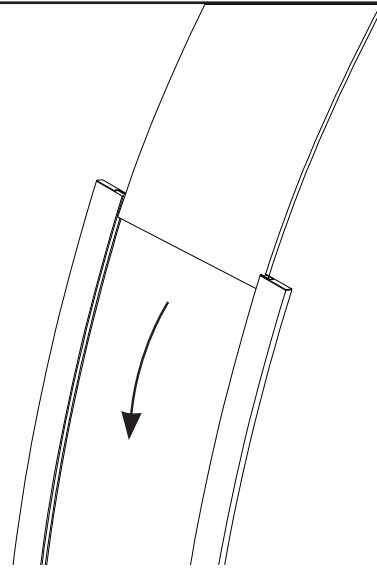


STEP

2

## Insert Graphic

Slide graphic panel into grooves of side braces until panel comes to a rest on the base.



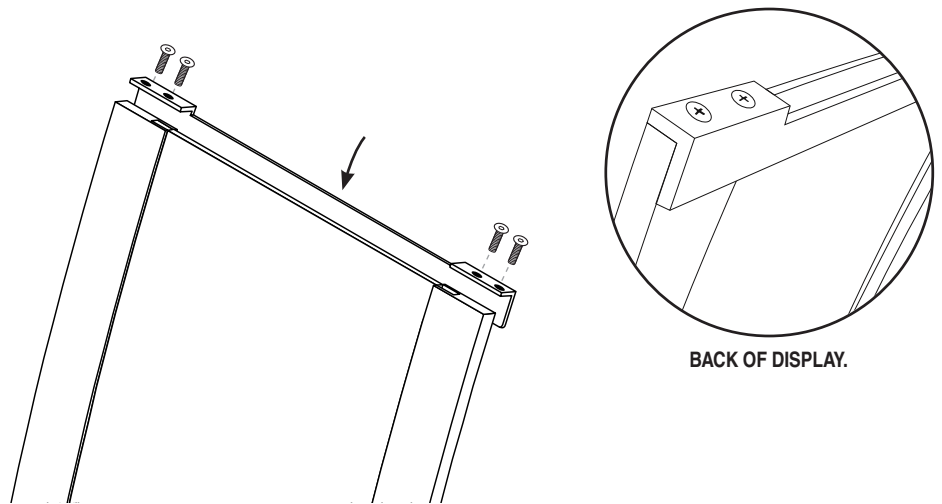
STEP

3

## Attach Top Brace

Attach top brace using the bolts in the "Hardware for Top" bag — 3/4" - 10 x 24 Hex Bolts.

**NOTE:** Top brace should be installed so that bracket overhangs *back* of display to prevent covering front of sign graphic.



STEP

4

## Finish Tightening

Finish tightening side braces to base.

