

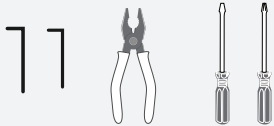
24-inch wide Edge Tower

Mobile Signage System for wayfinding, advertising, and messaging.

The Edge Tower requires two people for assembly.

Tools:

- 1/8" Allen Wrench
- 3/16" Allen Wrench
- Pliers
- Flat Head Screwdriver
(for changing graphic panels)
- Phillips Head Screwdriver



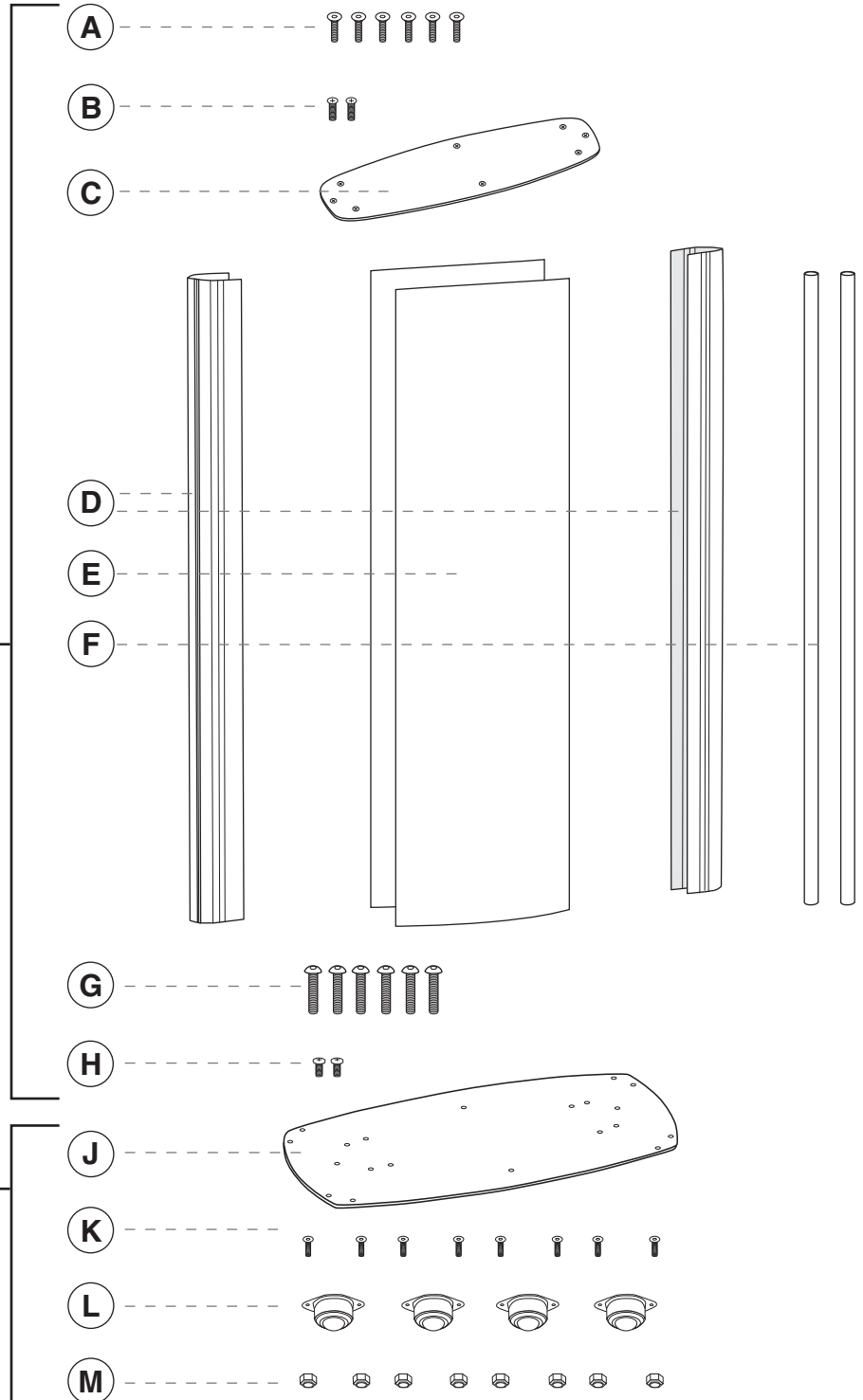
Parts:

Tower:

- A.** 5/16-18 x 1" Phillips Flat Head Screw for Top Plate (6)
- B.** 1/4-20 x 1-1/2" Phillips Flat Head Screw for Top Plate Media Support Rods (2)
- C.** Top Plate (1)
- D.** Edge Tower Extrusion (2)
- E.** Media Panel (2)
- F.** Media Support Rods (2)
- G.** 5/16-18 x 1" Button Head Hex Drive Screw for Bottom Plate (6)
- H.** 1/4-20 x 1-1/4" Phillips Pan Head Screw for Bottom Media Support Rods (2)

Base:

- J.** Base Plate (1)
- K.** 10-24 x 0.625 Flat Head Hex Drive Screw for Caster Rollers (8)
- L.** Caster Rollers (4)
- M.** 10-24 Lock Nuts for Caster Rollers (8)



STEP

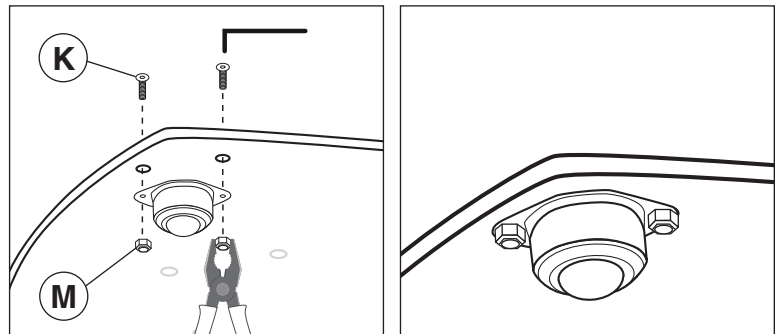
1

Assemble Base

Line up the first caster to the pre-drilled holes on one of the outer four corners of the base plate.

Insert 2 of the **(K)** 10-24 x 0.625" Flat Head Hex Drive screws from the top of Base Plate through Base Plate and holes on caster. Screw one **(M)** 10-24 lock nut onto the base of the screw, and tighten to base using 1/8" allen wrench while holding lock nut in place with pliers.

Repeat for all four casters.



STEP

2

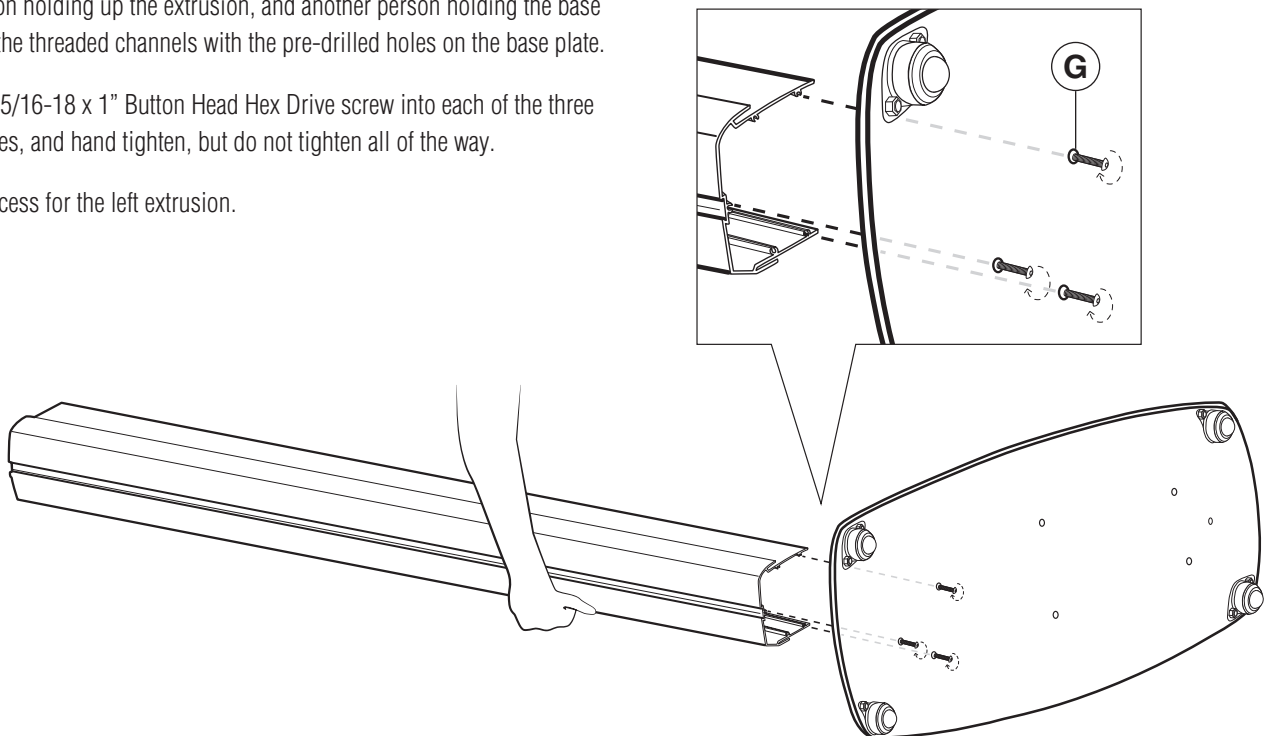
Attach Extrusions

Lay left extrusion down, with the open end facing right. Tip the base onto its side lengthways.

With one person holding up the extrusion, and another person holding the base upright, align the threaded channels with the pre-drilled holes on the base plate.

Insert one **(G)** 5/16-18 x 1" Button Head Hex Drive screw into each of the three pre-drilled holes, and hand tighten, but do not tighten all of the way.

Repeat the process for the left extrusion.



STEP

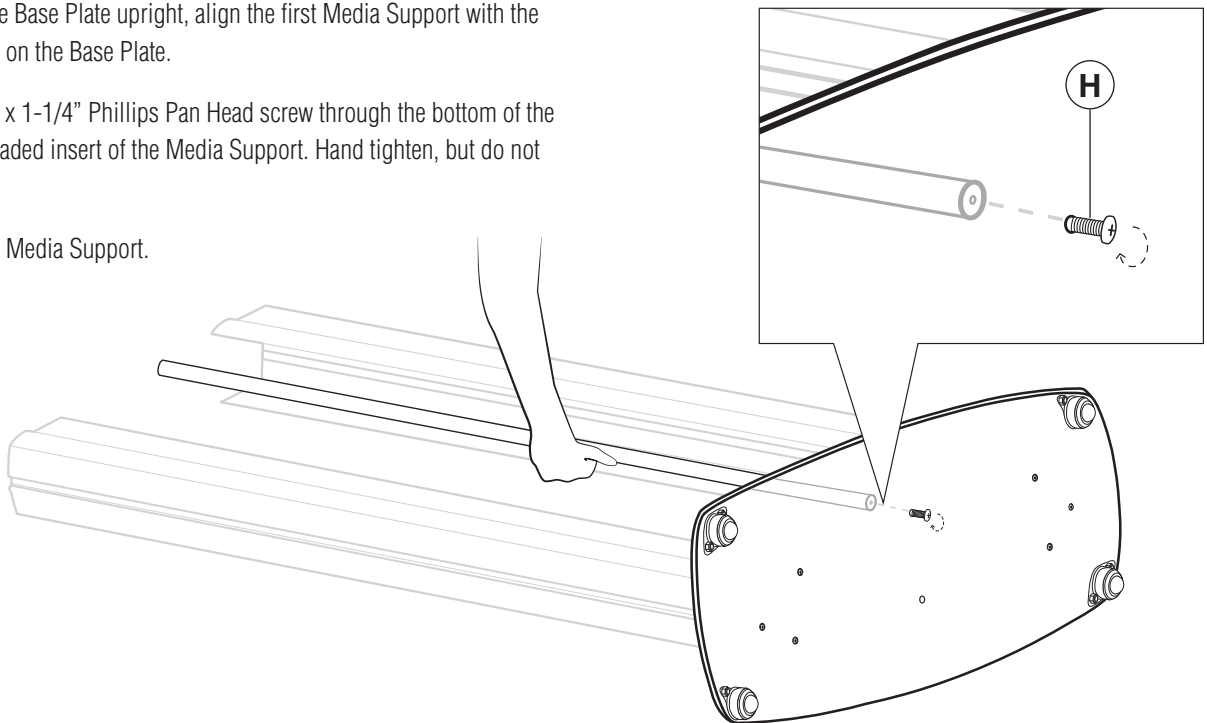
3

Attach Media Supports

Continuing to hold the Base Plate upright, align the first Media Support with the lower pre-drilled hole on the Base Plate.

Insert one **(H)** 1/4-20 x 1-1/4" Phillips Pan Head screw through the bottom of the base and into the threaded insert of the Media Support. Hand tighten, but do not tighten all of the way.

Repeat for the second Media Support.



STEP

4

Attach Top Plate

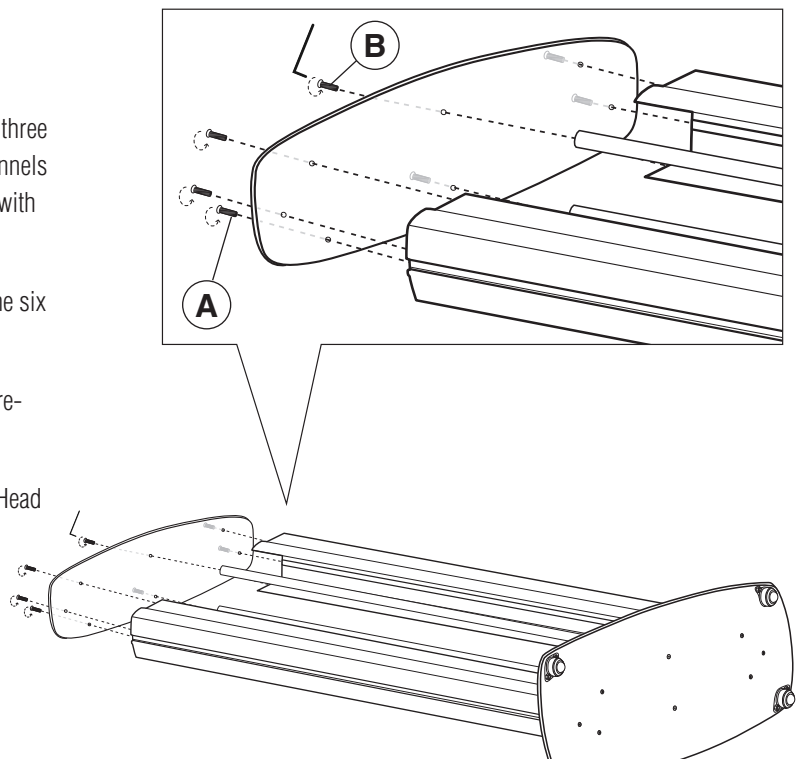
Align Top Plate with both extrusions and media supports, so that the three pre-drilled holes on the Top Plate line up with the three threaded channels on the extrusions, and the two pre-drilled holes in the center line up with the top of the media supports.

Insert one **(A)** 5/16-18 x 1/2" Phillips Flat Head screw into each of the six pre-drilled holes to connect the extrusions, and tighten.

Insert one **(B)** 1/4-20 1- 1/2" Phillips Flat Head screw into the two pre-drilled holes to connect the Media Supports and tighten.

Once the Top Plate is securely attached, finish tightening the Button Head Hex Drive screws on the Base Plate with 3/16" allen wrench.

Stand Edge Tower up to insert graphic panels.



STEP

5

Insert Graphic Panels

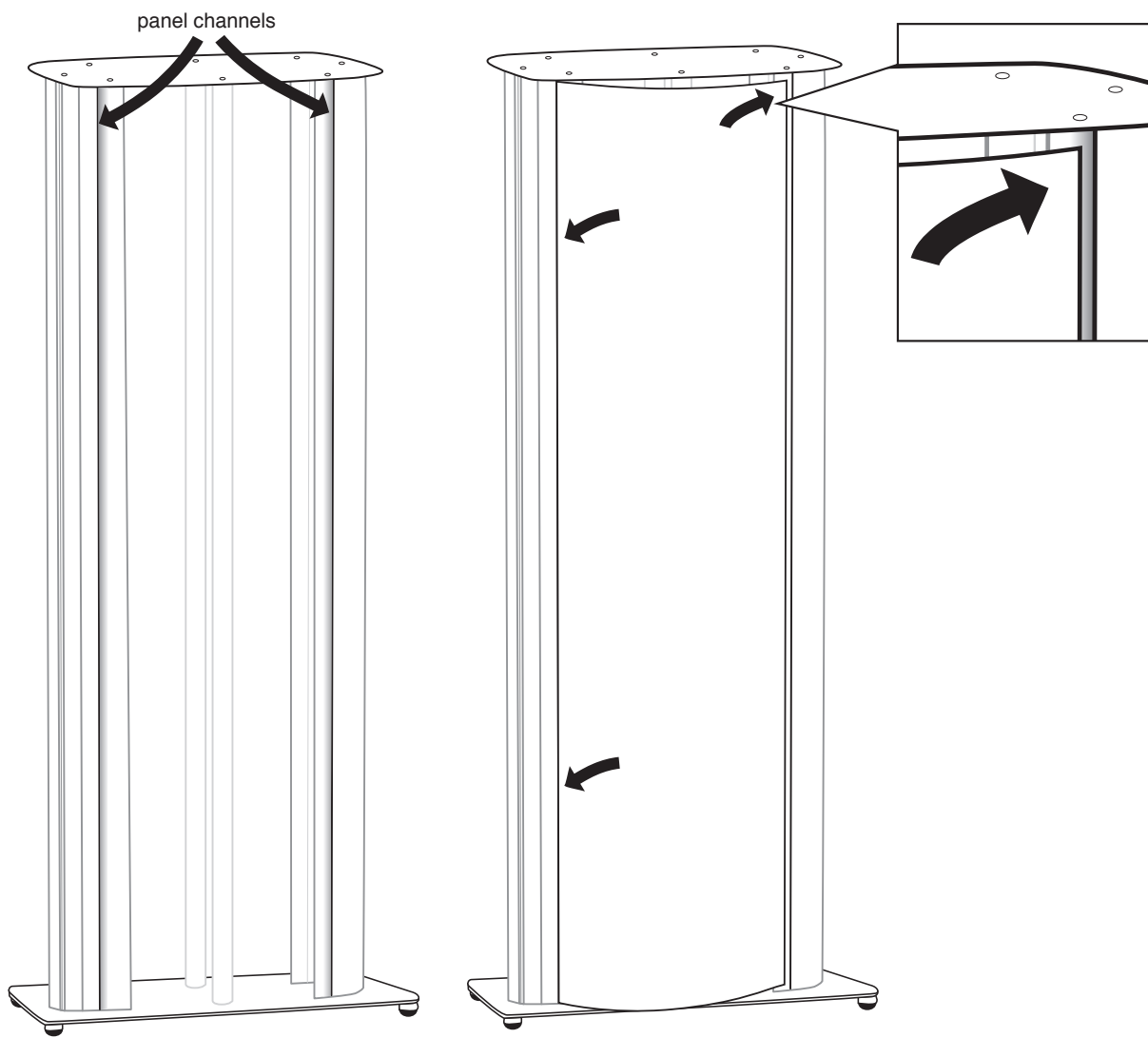
Holding Graphic Panel on the sides, gently feed left side of panel into the channel on left extrusion.

Make sure panel is securely inserted into left channel, then gently bend the right side of the panel in towards the right-center of the Edge Tower.

Guide the right side of panel into the channel on the right extrusion, by pushing down on the edge of panel along the side until panel snaps into place. Begin at the top and making your way down the panel.

Repeat for the second panel.

Tip: Have someone hold the Edge Tower from behind to keep it steady while inserting Graphic Panels.



Replacing Graphic Panels

STEP

1

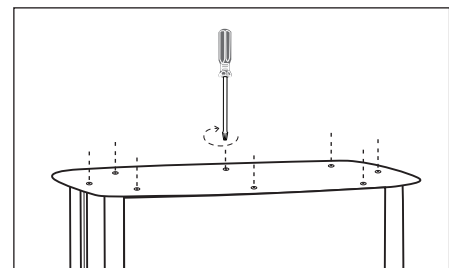
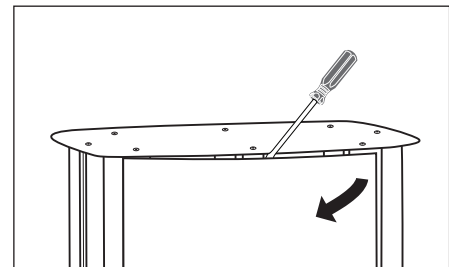
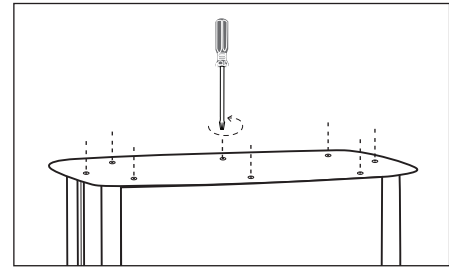
Remove Existing Graphic Panels

Loosen, but do not remove, all 8 Phillips Flat Head screws on the Top Plate of the Edge Tower (approximately four rotations should suffice).

Using a Flat Head screwdriver, carefully wedge tip of screwdriver between the top of the panel and the Top Plate, then nudge panel away from Top Plate until you can gently grab the top of the panel. Then, holding the top of the panel, carefully pull the panel out of the channel on the right extrusion, and then out of the channel on the left extrusion.

Repeat to remove second panel.

Tighten all 8 Phillips Flat Head Screws on the Top Plate of the Edge Tower.



STEP

2

Install New Graphic Panels

Prepare new panels for use by peeling away any protective film.

Holding Graphic Panel on the sides, gently feed left side of panel into the channel on left extrusion.

Make sure panel is securely inserted into left channel, then gently bend the right side of the panel in towards the right-center of the Edge Tower.

Guide the right side of panel into the channel on the right extrusion, by pushing down on the edge of panel along the side until panel snaps into place. Begin at the top and making your way down the panel.

Repeat for the second panel.

