



Magnetic Breakaway Egress Gate

Emergency Saloon Gate with Magnetic Closure

Create a flexible, secure area while enabling easy access for authorized personnel.

- Fixed magnetic-base or portable, weighted base
- Seamlessly integrates with all Beltrac queuing and barrier systems
- Magnetic closure keeps gates firmly closed
- Clear or black panels
- Customizable decals

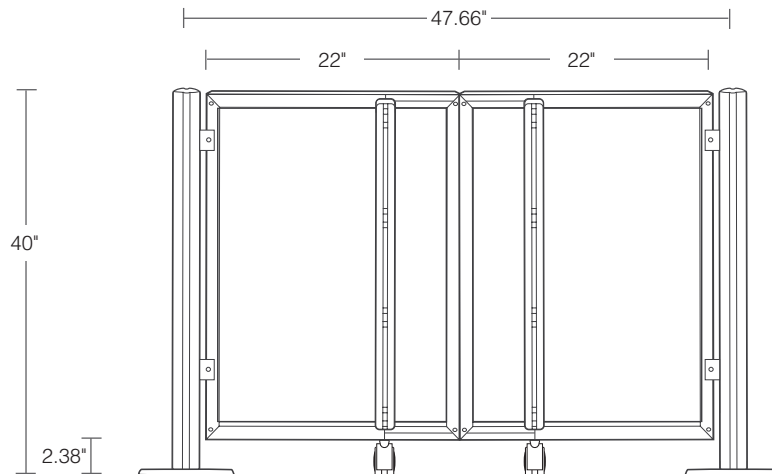


Magnetic Breakaway Egress Gate Specifications



Magnetic Breakaway Swing Gate

Part Number	50-HFG1009
Width (Center post to center post)	42" 48" 64" Custom sizes available
Height (Base to top)	40" to 72" Custom sizes available
Infill	Clear or Black



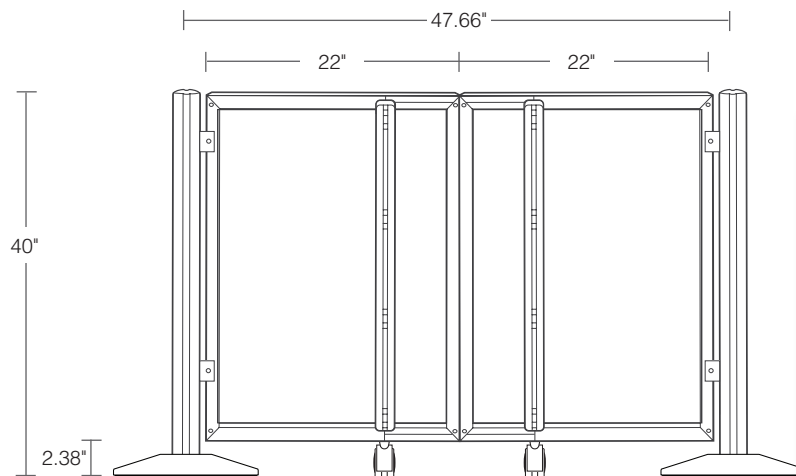
Magnetic Base & Plate

Base
18 Magnets
7.667" Base Diameter
.394" Base Depth

Floor Plate
7.48" Floor Plate Dia.
.059" Plate Depth

Portable Heavy-Base Breakaway Swing Gate

Part Number	50-HFG1009
Width (Center post to center post)	42" 48" 64" Custom sizes available
Height (Base to top)	40" to 72" Custom sizes available
Infill	Clear or Black



Portable Heavy Base

Base
14.5" Diameter Sloped Base
2.0" Base Depth