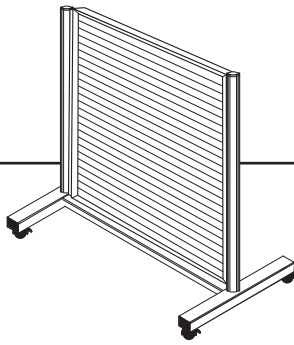


# Mobile Merchandiser

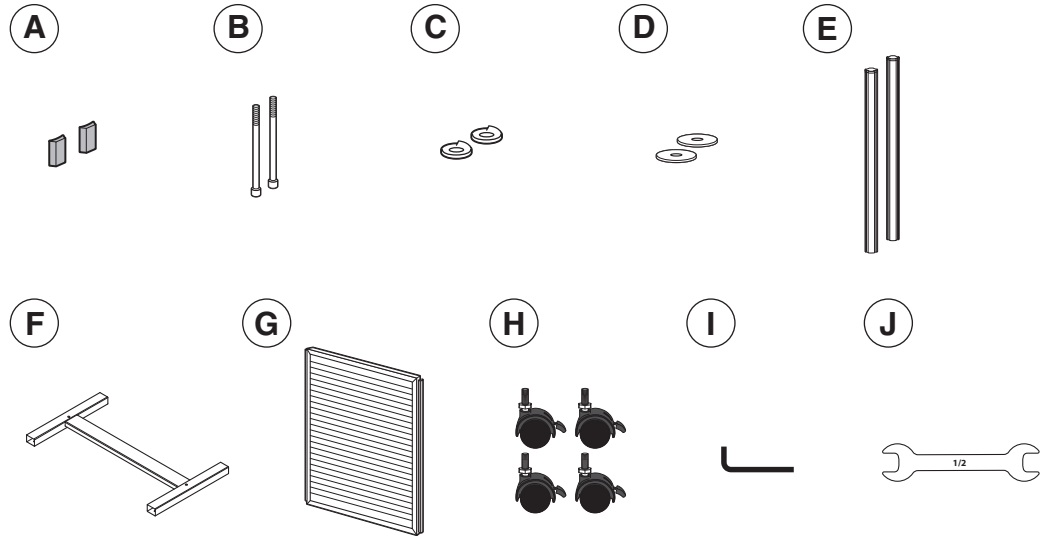


## Parts:

- A. Plastic Spacers
- B. Bolts
- C. Locking Washers (2)
- D. Washers (2)
- E. Posts (2)
- F. H-Base Frame
- G. Slatwall (1)
- H. Wheels (4)

## Tools:

- I. 5/16" Allen Wrench
- J. 1/2" Wrench

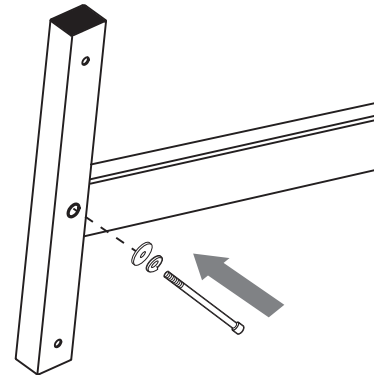


### STEP

## 1

### Insert Bolts Through Frame

Position H-Frame on its side. Insert Locking Washer and then Standard Washer onto bolt, then slide bolt through holes on bottom of H-Base Frame.

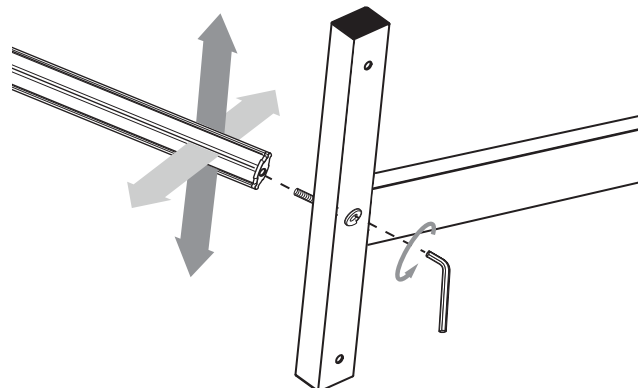


### STEP

## 2

### Secure Posts to Frame

Position post over bolt, then tighten bolt to secure post to frame. Do not completely tighten yet. Make sure post can rotate freely. Repeat for second post. Make sure posts are positioned so that grooves align with frame.

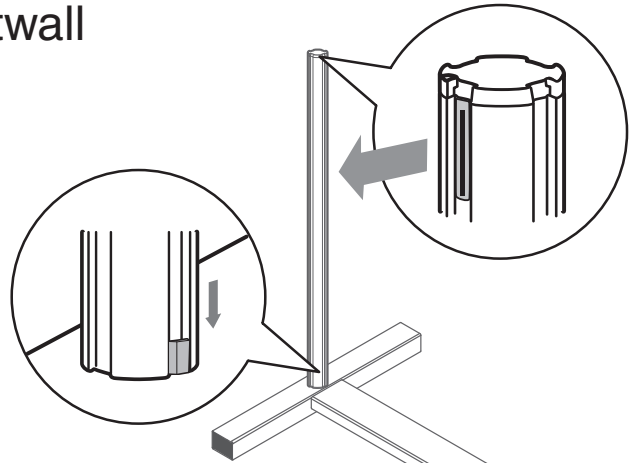


STEP

3

### Position Posts to Accept Slatwall

Position unit so H-Base Frame is on the floor and posts are upright. **IMPORTANT:** Make sure that the plastic belt guide at the top of each post faces away from unit and is aligned parallel to the sides/legs of the unit as shown. Insert Plastic Spacers into the inside grooves of post where you will be attaching the Slatwall Panel. Slide spacers down opposing post grooves until they meet the base.

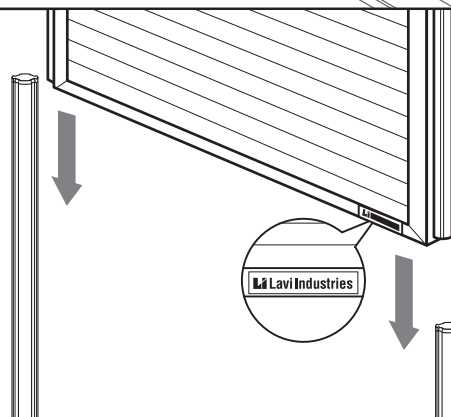


STEP

4

### Attach Slatwall Panel

Lift the Slatwall Panel, then insert the edges into each post's groove. Slide down until the Slatwall Panel meets the Plastic Spacers.

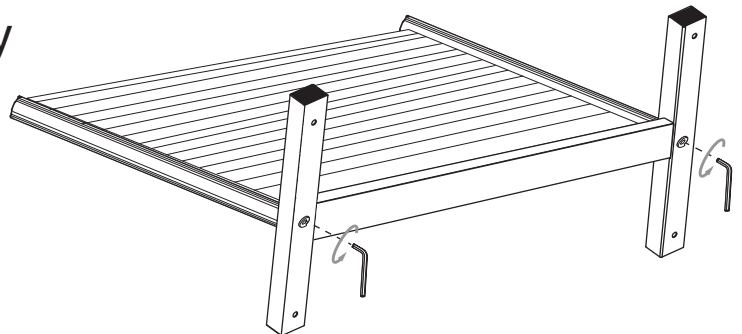


STEP

5

### Secure the Final Assembly

Carefully tilt the unit on its side, then completely tighten the bolts to secure the posts.



STEP

6

### Attach Wheels

Attach casters by screwing caster pin into holes on bottom of H-Base Frame. Tighten by using a 1/2" wrench to rotate the hex nut on the wheel assembly.

