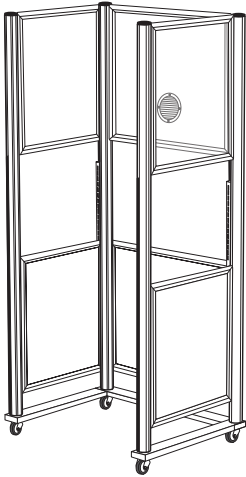


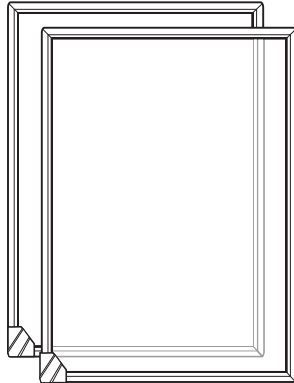
TSA – TDC

Protective Mobile Kiosk for TSA

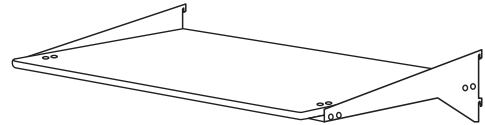
Parts List:



Main Mobile Kiosk



Protective Panel Extensions (2)



Adjustable Surface (1)

Attach Protective Panel Extensions

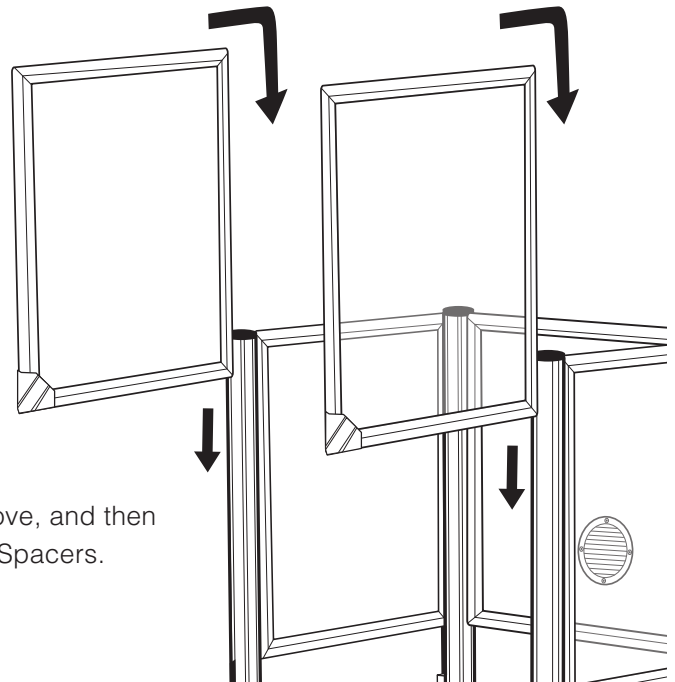
STEP 1

On the Main Structure, locate the two back posts. Both posts should have two pre-installed Panel Spacers; one permanent tall spacer, and then an additional 4-inch spacer that can be removed to lower the overall height of the Panel Extension.

Lift the first Protective Panel Extension, with the protective corner facing down and out as shown. Align the bottom corner of the panel with the dovetail groove at the top of the first back post.

Slide the Protective Panel Extension into the dovetail groove, and then carefully slide panel down post until it rests on the Panel Spacers.

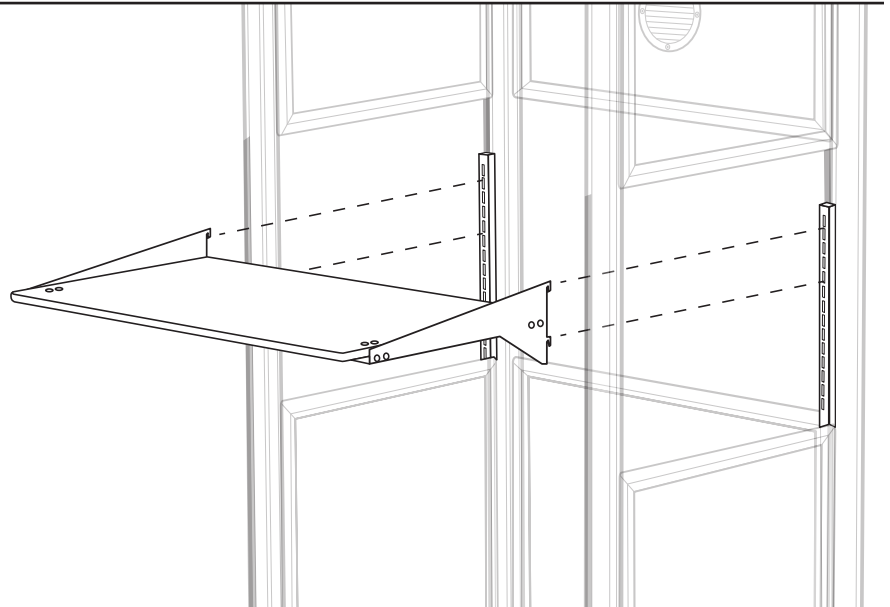
Repeat for the second Protective Panel Extension.



Attach Adjustable Surface

STEP
2

Holding the Adjustable Surface, step into the Main Structure space (you may need to tilt the Adjustable Surface to enter). Locate the standard slot rails located on the interior of the two farthest posts, which hold the vented panel.

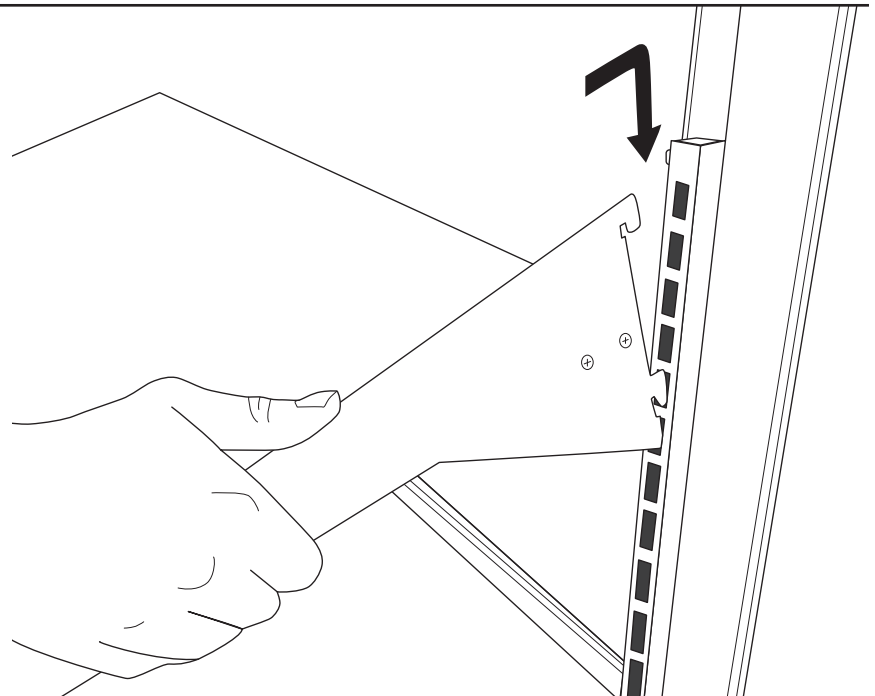


Continued: Attach Adjustable Surface

STEP
3

Determine a comfortable surface height, then slightly tilt the Adjustable Surface by lowering the front. Insert the lower tabs of the bracket into the standard slot rails, then lift the front of the Adjustable Surface and insert the top tabs into the standard slot rails.

Press down on the sides of the Adjustable Surface to lock into place.



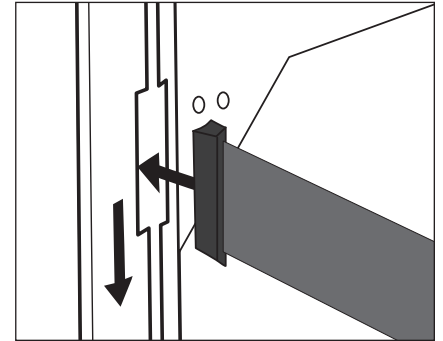
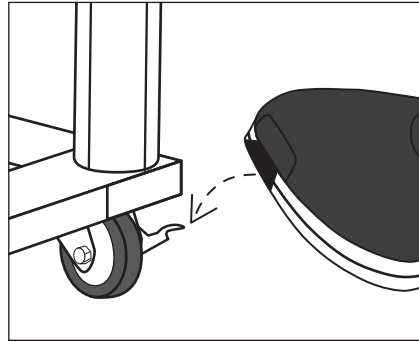
Position Structure

STEP 4

Roll the structure into place.

Locking rear wheels will secure the structure in place. To lock, use your foot to press down on the locking tab located on each wheel.

The two front posts have notches on the side to allow a retractable belt connection.

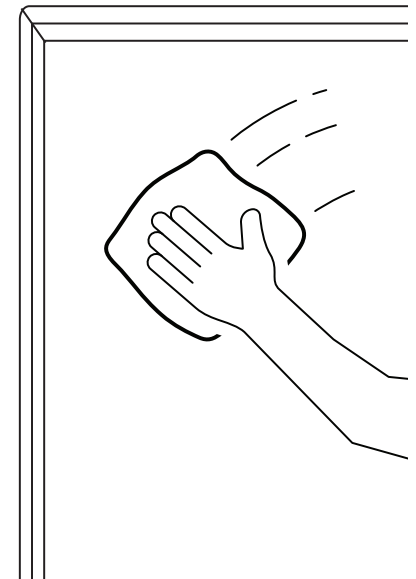


Care and Cleaning of Panels

Cleaning

Proper and regular cleaning of your Divesting panels will help extend their life and leave them with a lustrous shine that resists fogging, repels dust, and eliminates static.

- For cleaning clear acrylic, use only commercially available plastic cleaner.
- Avoid cleaning solutions containing ammonia or alcohol.
- Some cleaners will leave a silicon layer that protects the panels.
- Use a clean microfiber towel or a lint-free cloth to clean and polish the panels.



To remove scratches, haziness, and small abrasions use a commercially available plastic scratch remover solution. With repeated use, these solution will remove scratches and restore faded and discolored plastics.

Disinfecting

- Commercially available disinfectants should be used to sanitize the panels.
- Use only non-alcoholic disinfectants.