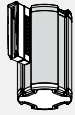
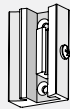


7ft and 13ft Wall Mounts

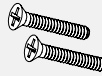
Parts List:



Wall Mount Mechanism



Grip Connector



(2) 1 1/2" Flat Head Screws



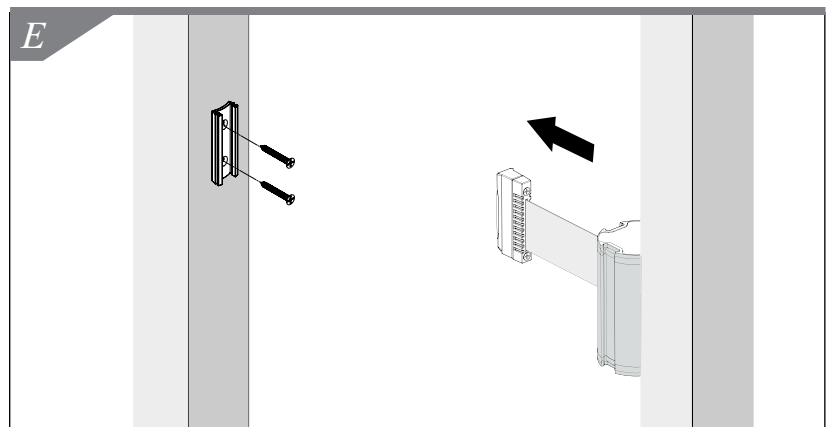
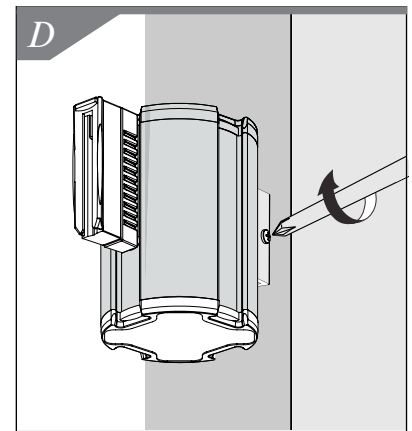
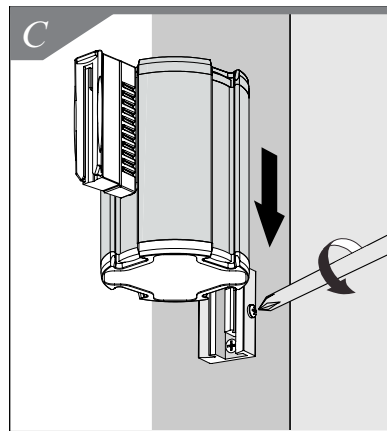
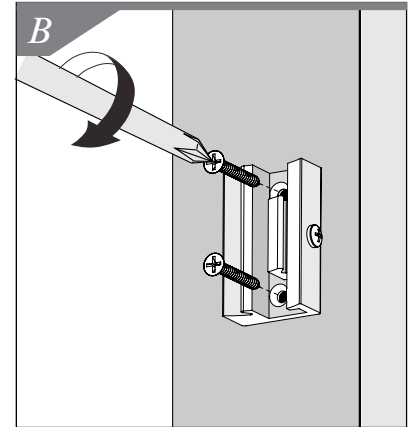
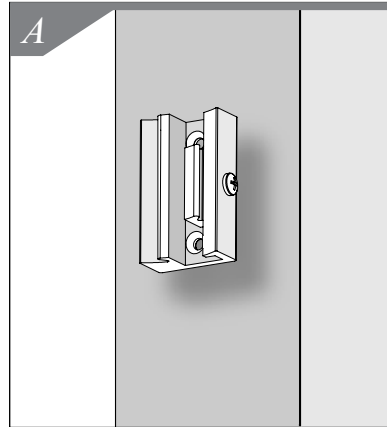
Wall Receptacle



Phillips Crosshead Screw Driver

Required Tools

1. Determine mounting height and location on wall for Grip Connector. See Figure A.
2. Make sure Grip Connector is vertical and top surface is level. Install upper 1 1/2" Flat Head Screw. (Drywall anchors should be used if there is not solid backing in the wall. Some mounting conditions may require different hardware.) Install lower 1 1/2" Flat Head Screw. See Figure B.
3. Slide Wall Mount Mechanism over dovetail on the Grip Connector until Grip Connector midpoint is aligned with Wall Mount Mechanism midpoint. Loosen Pan Head Screw for an easier fit. See Figure C.
4. Tighten Pan Head Screw to secure Mechanism. See Figure D.
5. Mount Wall Receptacle opposite from Wall Mount Mechanism using two screws supplied. Make sure receptacle is level with belt and Wall Mount unit. See Figure E.



Beltrac® Retractable Belt Barriers

Instant barriers that ensure safety anywhere, anytime.



50-3010 7ft

7ft Standard Wall Mount

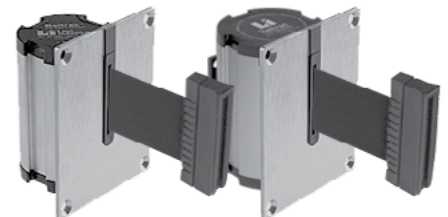
7-foot Wall-Mounted Retractable Belt Barriers are ideal for temporarily closing or blocking access to aisles, doorways and thresholds.



50-41300 13ft

13ft Standard Wall Mount

13-foot-long, Wall-Mounted Retractable Belt Barriers provide an instant temporary barrier for wider aisles, doorways and corridors.



50-3012 and 50-3013 7ft or 13ft

7ft and 13ft Recessed Wall Mounts

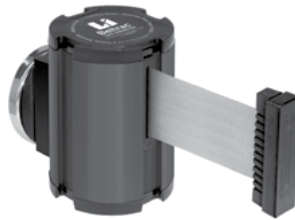
The Recessed Retractable Belt Barrier allows for a clean, flush aesthetic while providing a quick and easy way to instantly restrict access to passageways.



50-3010MG 7ft

7ft Magnetic Wall Mount

The 7-foot Magnetic Retractable Belt Barrier features powerful magnets that adhere to most metal surfaces, instantly blocking access to aisles and doorways.



50-41300MG 13ft

13 ft. Magnetic Wall Mount

Our 13-foot Wall-Mounted Retractable Belt Barriers are perfect for temporarily blocking access to wide aisles, corridors, and stairs.



50-41300CM 7ft

7ft Counter Mount

Open and close checkout lanes in an instant with our counter-mounted retractable belt aisle barrier imprinted with the words "Lane Closed" in a repeating pattern.