

Tempest Belt Mech Replacement

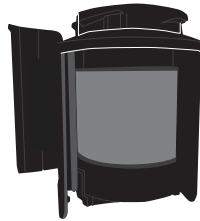
Parts:

- A. Tempest Belt Mechanism
- B. Tempest Post
(Sold Separately)

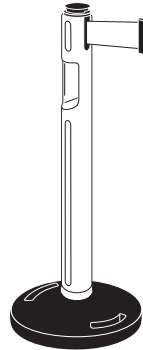
Tools:

- C. Screw Driver

A



B



C

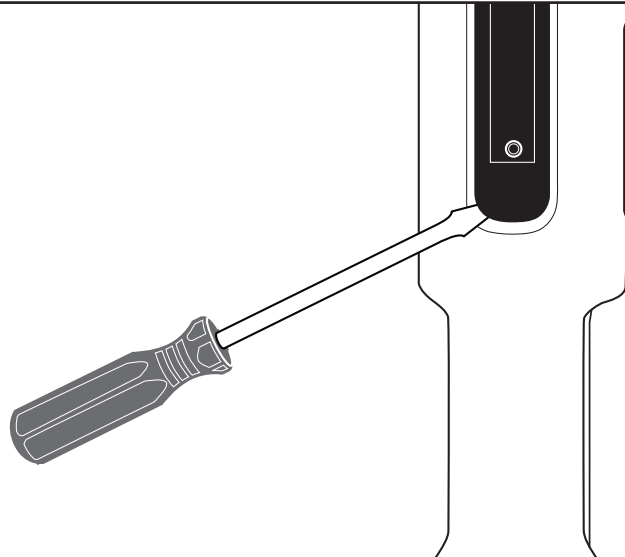


STEP

1

Unlock Mechanism

Gently slide the flat head of the screwdriver under the plastic base of the belt grooves to unlock the mechanism from the post. You will need to do this to both sides to release the mechanism from the post.

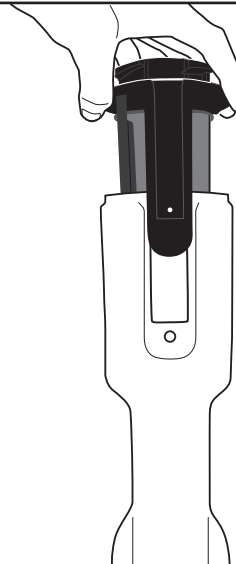


STEP

2

Remove Mechanism

Once mechanism knobs are released from post holes, slide the mechanism off of the post. If mechanism does not slide out easily, check to make sure that the mechanism knobs haven't re-engaged into the notches.



STEP

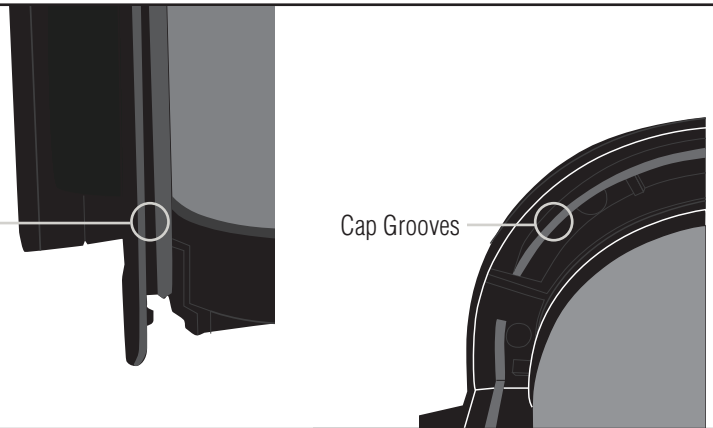
3

Find the Grooves

Identify the cap and belt grooves built into the mech and match to tongues on the post.

Belt Guide Grooves

Cap Grooves

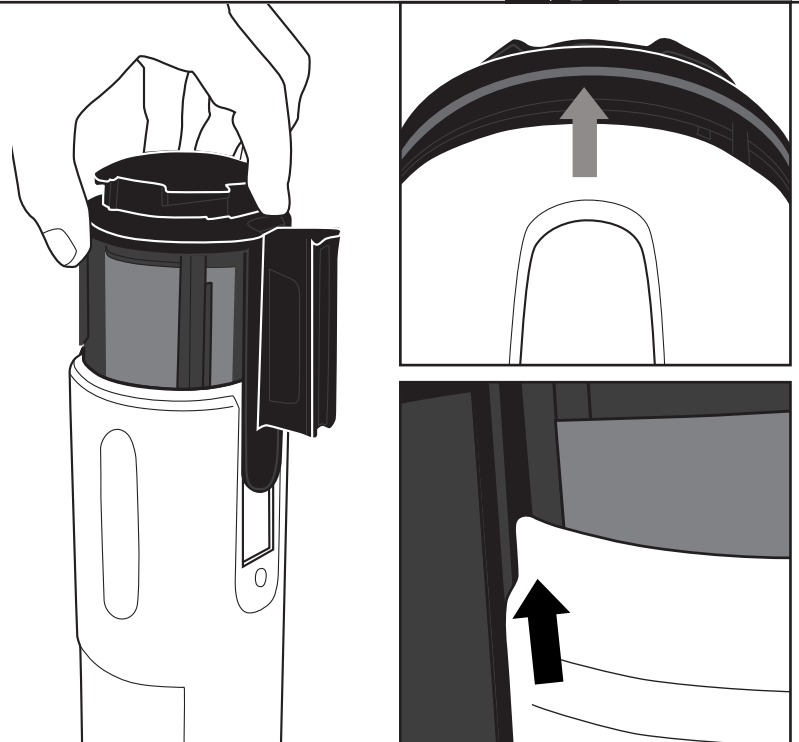


STEP

4

Slide Mech into Place

Slide the edges of the post into the grooves in the sides of the mechanism.



STEP

5

Snap the Mechanism in Place

After you have slid the mechanism down into the post, gently squeeze the top of the post to allow the cap grooves to line up with the top of the post and press down on the top of the mechanism. You will hear a snap when the mechanism locks into place.

